

JIBBI



Product of the year

PATENT PENDING

1250 ELC



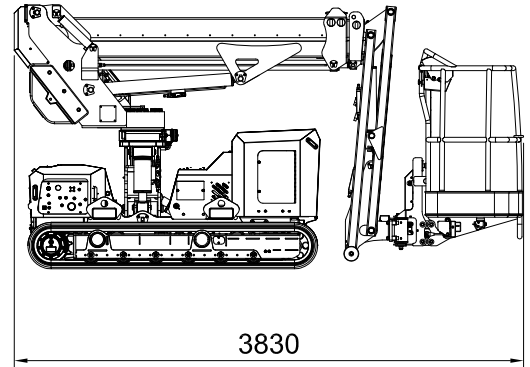
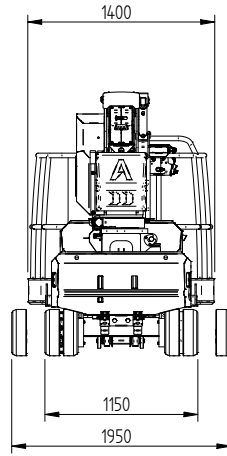
CRAWLER TELESCOPIC BOOM

ALMACRAWLER 

ALMAC-PACIFIC.COM.AU

JIBBI 1250 ELC

JIBBI is the new
crawler telescopic boom
by AlmaCrawler.



Patent pending innovations

New Dynamic Work Performance (DWP by Almac)
Undercarriage integrated by new Safe-lock System



Cable remote console by AUTEC



Mixed slope levelling

Technical data

Max working height	12,2 m
Max height basket floor	10,2 m
Moving height	8,0 m
Max outreach (load 80 kg)	7,0 m
Max outreach (load 230 kg)	5,4 m
Rotation angle	+/- 110°
Basket size	1,4 x 0,7 m
Basket rotation angle	+/- 70°
Max basket capacity	230 kg
Length in stowed position (with detached basket)	3,7 (3,0) m
Min width in stowed position	1,15 m
Max working width	1,95 m
Min height in stowed position	1,98 m
Longitudinal leveling	+/- 15°
Lateral leveling	+/- 15°
Max gradeability	25°
Max side gradeability	25°
Drive speed (fast)	2,0 km/h
Security speed	0,3 km/h

Weights

Traffic load	4,82 kN/m ²
Total weight	3600 kg

Power

Lead acid battery pack 420Ah-48V	DC 4 kW
----------------------------------	---------

Extras - On Demand

Non-marking tracks	-
Radio remote control	-
Arctic lubricant for cold climate	-



Features

Lead acid battery pack 420Ah-48V
 220° Slewing ring rotation
 Basket rotation kit +/- 70°
 Integrated Drive System
 (using single joystick)

Ultrasonic Anti-collision System



Compact dimensions
Removable basket

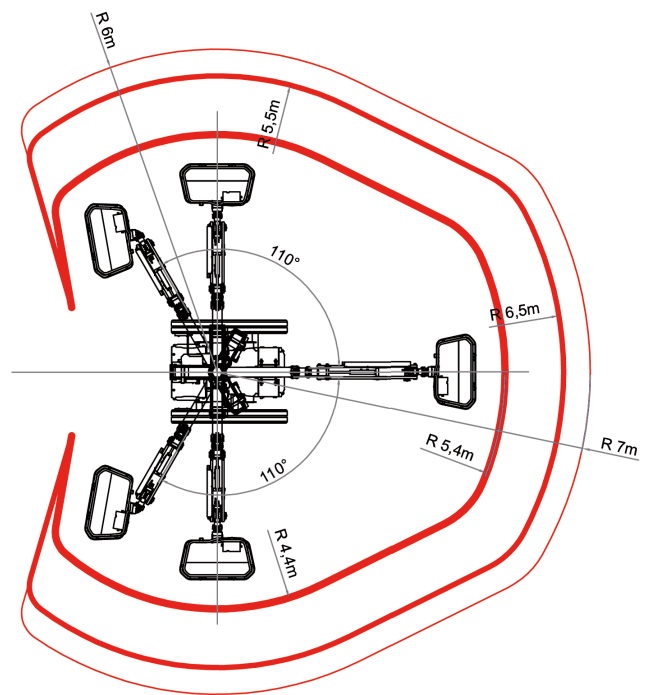
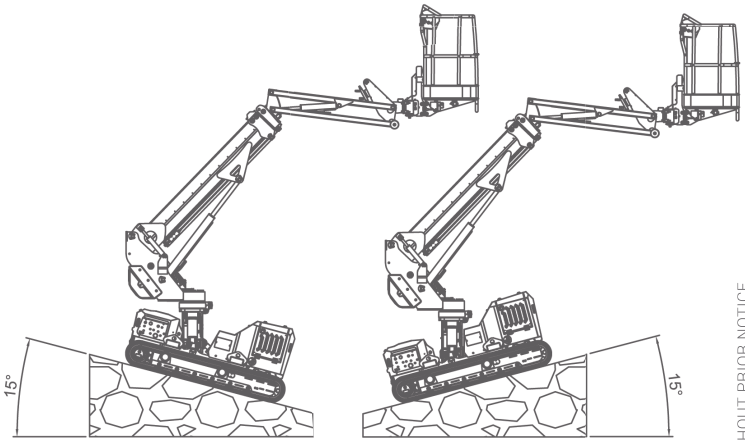
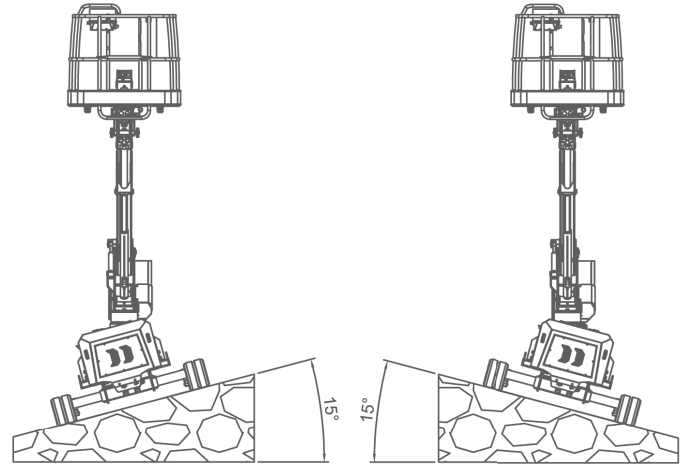
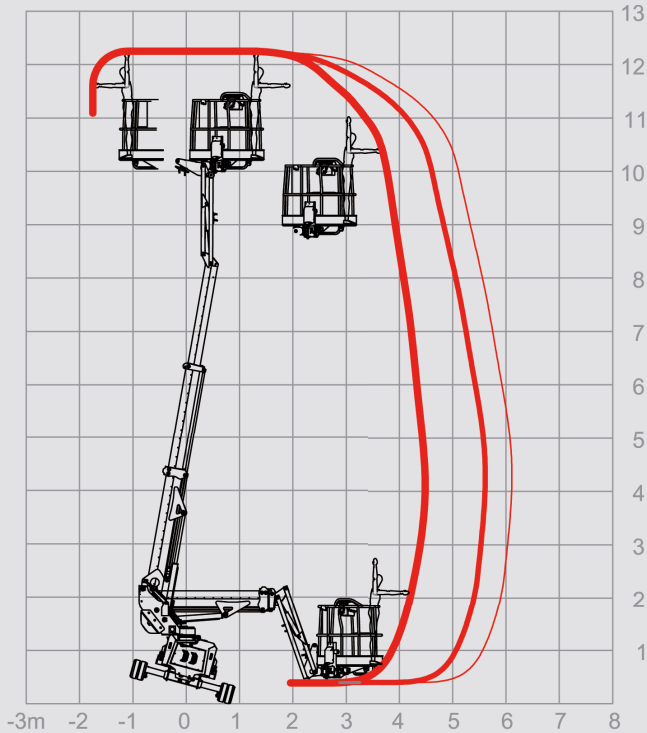
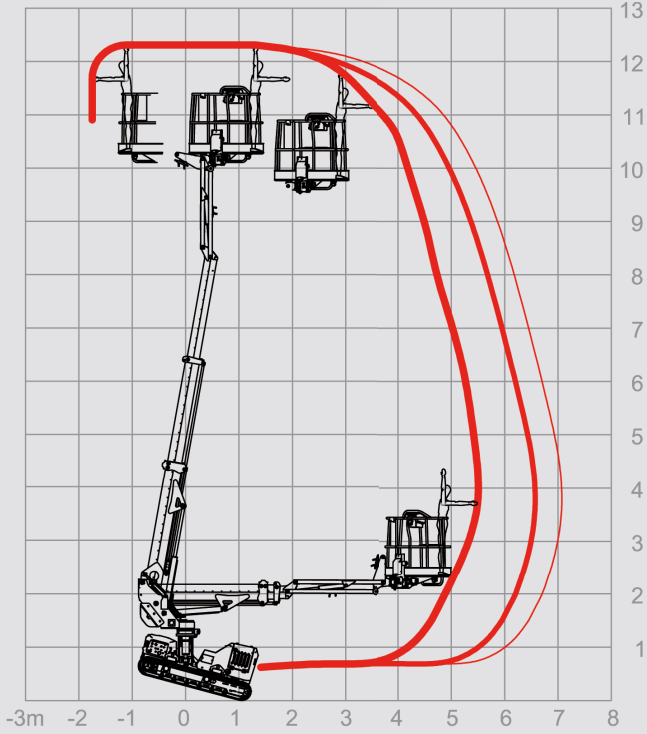
Automatic & Dynamic Levelling
Pro-Active Levelling



JIBBI 1250 ELC

12.2m	230kg	DC4kW	+/-15°	2.0 km/h	+/-15°
MAX. W.H.	CAPACITY	POWER	LONG. LEVEL.	SPEED	LATER. LEVEL.

- 80 kg
- 140 kg
- 230 kg



Level 10, 68 Pitt Street, SYDNEY, NSW2000
Email info@almac-pacific.com.au

ALMACRAWLER 
ALMAC-PACIFIC.COM.AU

ALL DATA REPORTED IN THIS CATALOGUE ARE NOT BINDING. ALMAC SRL RESERVES THE RIGHT TO CHANGE SPECIFICATIONS WITHOUT PRIOR NOTICE.