

TECHNICAL
PRESENTATION



ALMACRAWLER

ALMAC-PACIFIC.COM.AU

JIBBI

1250 EVO

SELF-PROPELLED TELESCOPIC BOOM

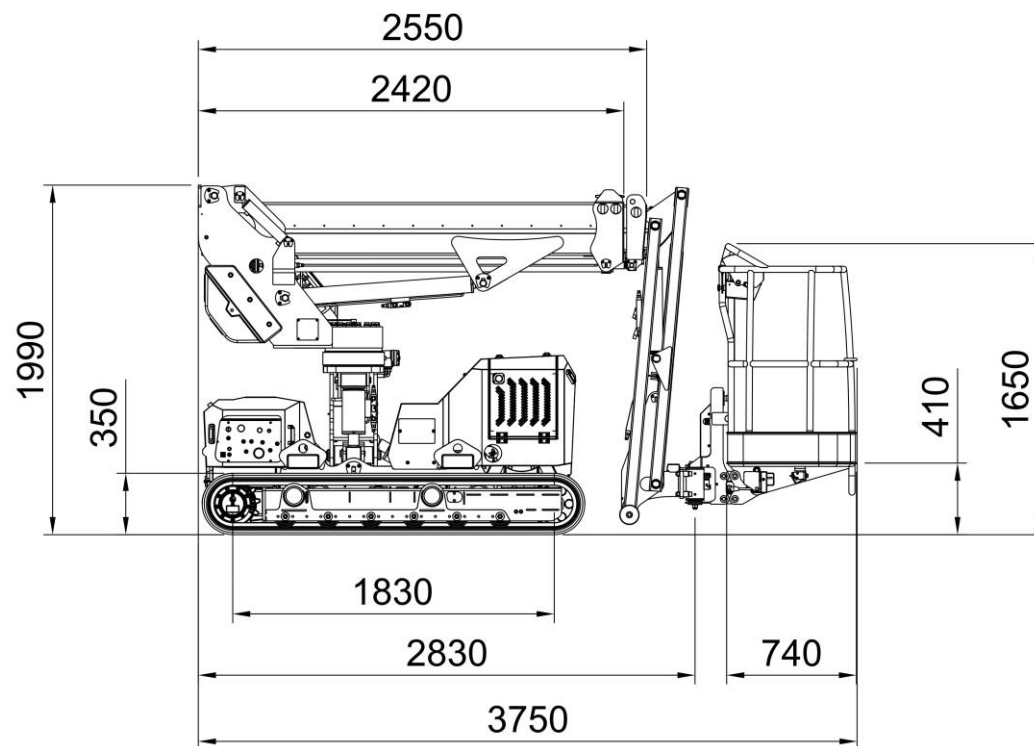
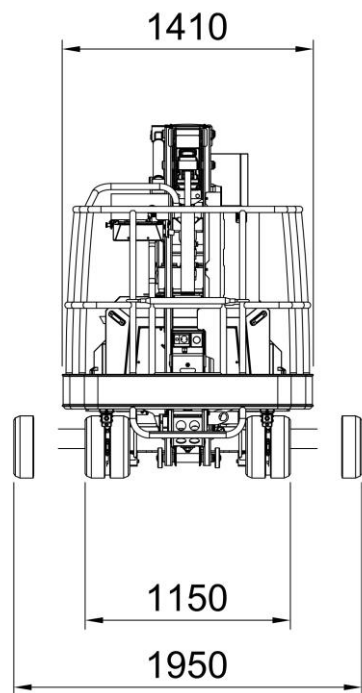
ALMACRAWLER

INNOVATIVE CRAWLER TECHNOLOGY



New **JIBBI 1250 EVO**

DIMENSIONS

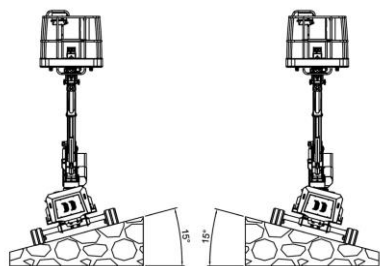


RETRACTABLE
UNDERCARRIAGE

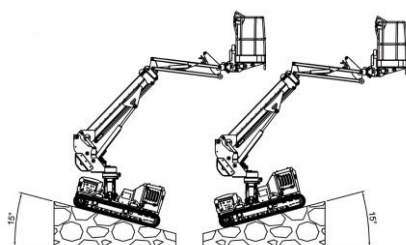
TOTAL WEIGHT: **ONLY 2850 KG**

EQUIPPED WITH AN HIGH PERFORMANCE
19.2 HP THREE-CYLINDER YANMAR DIESEL ENGINE

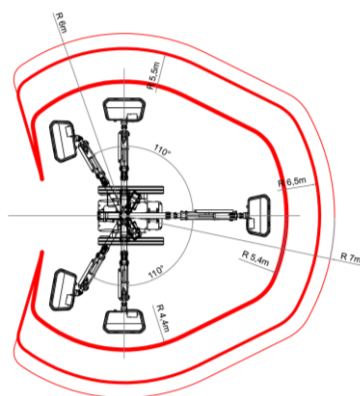
PERFORMANCE AND WORKING DIAGRAMS



LATERAL LEVELING +/- 15°

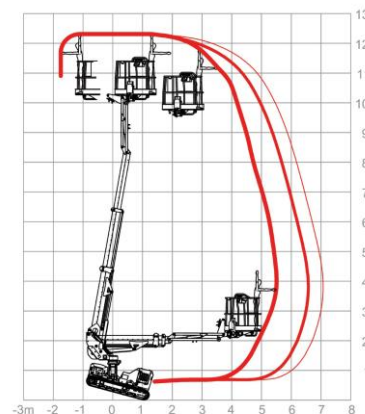


LONGITUDINAL LEVELING +/- 15°



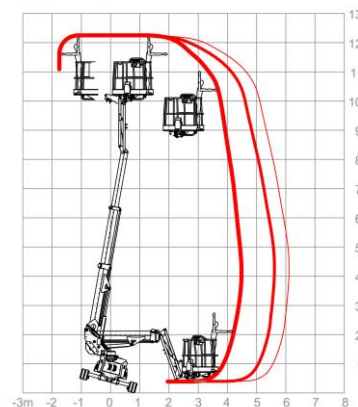
OUTREACH FROM 5.4M TO 7M

80 kg
140 kg
230 kg



FRONTAL OUTREACH

80 kg
140 kg
230 kg

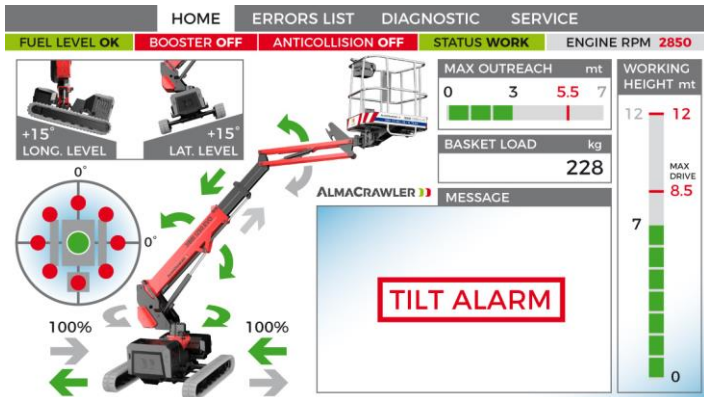


LATERAL OUTREACH



NEW CABLE CONSOLE BY

 (COLOURS DISPLAY 4.3 INCH)



REMOVABLE BASKET

BASKET CAPACITY 230 KG

BASKET ROTATION +/- 70°



PROACTIVE & DYNAMIC LEVELLING SYSTEMS
HELPING YOU WORK IN ROUGH TERRAINS

LONGITUDINAL LEVELING +/- 15°

LATERAL LEVELING +/- 15°

MIX LEVELING +/- 22°



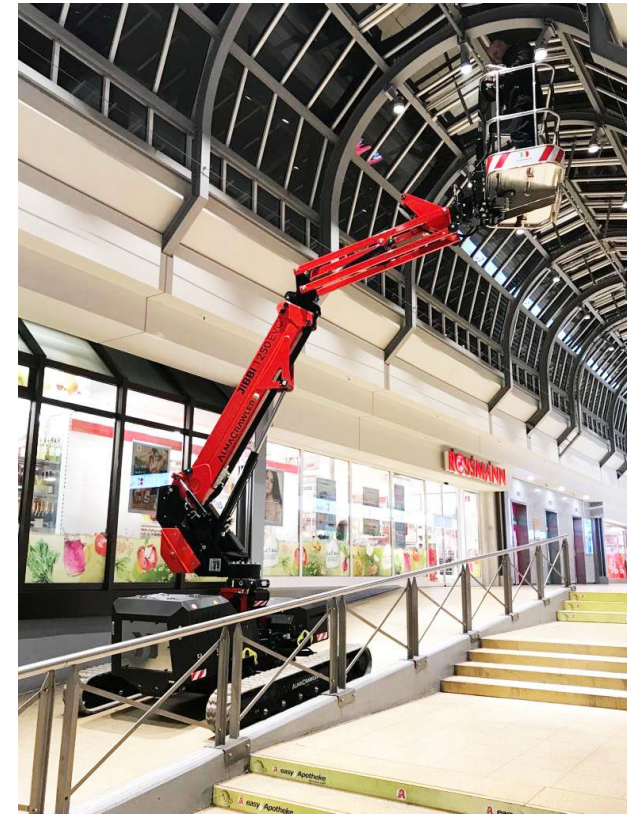
WORKING HEIGHT UP TO 12.2M

OUTREACH FROM 5.4M TO 7M



DWP – DYNAMIC WORKING PERFORMANCE:

DYNAMIC CONTROL OF THE PERFORMANCES OF THE MACHINE ACCORDINGLY TO THE WORKING CONDITIONS (PATENT PENDING).



NEW ANTI-COLLISION ULTRASONIC SYSTEM:
FOR PROTECTING THE OPERATOR AS AN ANTICRUSHING BARRIER ON BOTH SIDES OF
THE BASKET (DURING UPPER AND LOWER MOVEMENTS).